



Capacitive Sensors S26 Series 40 - NAMUR EN 60947-5-6

Housing M 30 x 1.5

- For use in areas with the risk of dust explosion, zone 20
- For use in areas with the risk of gas explosion, zone 0
- Housing material: PTFE
- SIP / CIP 121 °C

| | |
|-------------------------------|----------------------|
| DMT 03 ATEX E 048 | IECEX BVS 07.0031 |
| Ex II 1G Ex ia IIC T1-T6 Ga | Ex ia IIC T1-T6 Ga |
| Ex II 1D Ex ia IIIC T101°C Da | Ex ia IIIC T101°C Da |

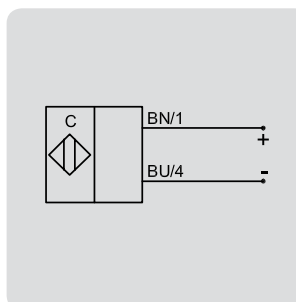
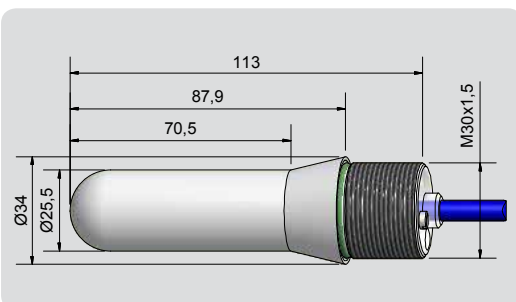


| Technical data | Non-flush mountable |
|----------------------------------------------------------------------------------------------------------|-------------------------------------------|
| Level sensor, in contact with the product | Medium dependent adjustable |
| Operating distance min. / max. adjustable | 0...15 mm |
| Electrical version | 2-wire DC |
| Output | NAMUR DIN 60947-5-6 |
| Type | KAS-40-26-N-K-M30-PTFE-StEx |
| Art. No. | KA 1389 |
| Operating voltage (U _B) | 5 - 15 V DC, U _i = 15 V DC |
| Output current active surface free | < typ. 1.5 mA |
| Output current active surface covered | > typ. 3 mA |
| Self-inductance (L) | 0.2 mH |
| Self-capacitance (C) | 250 nF |
| Permitted residual ripple max. | 5 % |
| Frequency of operating cycles max. | 50 Hz |
| Permitted ambient temperature | 0...+70 °C / CIP 121 °C (zero-current) |
| LED-display | Yellow |
| Degree of protection IEC 60529 | IP 67 |
| Connection cable | 2 m, PUR, 2 x 0.75 mm ² |
| Housing material | PTFE (FDA 21 CFR 177.1550) |
| Active surface | PTFE (FDA 21 CFR 177.1550) |
| Lid | PC (FDA 21 CFR 177.1580) |
| Media optimized | Yes |
| Accessories (supplied with the sensor) | O-Ring Viton PG 21 |
| Accessories for mounting (not delivered with the sensor) please see our selection of accessories. | |

Capacitive Sensors S26 with hemispherical active surface for level control of products with a dielectric constant ϵ_r as of 1,1. Products can be:

- Bulk material, like plastic granules, powder, cereals, etc.
- Liquids, like water, juice, wine, oil, chemicals or pharmaceutical solutions and much more.
- Pastes in the food processing industry, liquid glue, resins or glue, etc.

All specifications are subject to change without notice. (01/2018)



Made in Germany