



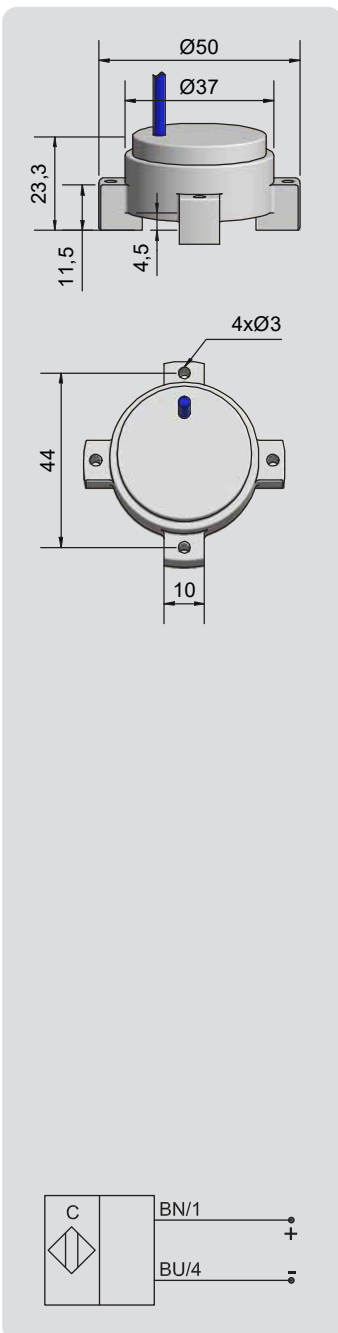
Capacitive sensors

Series 40 - NAMUR EN 60947-5-6

Article number KA1673

Description KAS-40-39/23-N-D50-PTFE-Z03-1-Leak-1G

- Leakage control in clean room / Alarm for containers and pipelines. Mounting in „drip trays“ of plastic, glass or metal
- For use in areas with the risk of gas explosion, zone 0
- Housing material: PTFE, FDA conform
- WHG certificate (German Federal Water Act), Leakage Control, No. Z-65.40-573
- SIL 2 according to IEC 61508 standard
- Semiconductor Industry, Chemical Industry



Technical data

Mounting	Flush mountable
Operating distance S_n	2 mm
Operating distance min. / max. adjustable	0.5...3 mm
Sensitivity adjustment	Potentiometer
Output function	NAMUR DIN 60947-5-6
Operating voltage (U_B)	5 - 15 V DC, $U_i = 15$ V DC
Output current active surface free	< typ. 1.5 mA
Output current active surface covered	> typ. 2.5 mA
Self-inductance (L)	0.2 mH
Self-capacitance (C)	250 nF
Permitted residual ripple max.	5 %
Frequency of operating cycles max.	50 Hz
Permitted ambient temperature	0...+60 °C
LED-display	Red
Degree of protection IEC 601586,11	IP 67 (with sealed potentiometer screw)
Connection	Cable, 3 m, FEP, 2 x 0.14 mm ² , screened
Housing material	PTFE (FDA 21 CFR 177.1550)
Active surface	PTFE (FDA 21 CFR 177.1550)
Lid	PTFE (FDA 21 CFR 177.1550)
Housing size / Process connection	Ø 50 mm
ATEX certificate	DMT 03 ATEX E 048X
ATEX Product marking Gas	Ex II 1G Ex ia Ex IIC T1...T6 Ga
IECEx certificate	BVS 07.0031X
IECEx Product marking Gas	Ex ia IIC T1...T6 Ga
KTL certificate	19-KA2BO-0077
KTL Product marking Gas	Ex ia IIC T6...T1
WHG certificate (German Federal Water Act)	Leakage Control, No. Z-65.40-573
Safety Integrity Level (SIL)	SIL 2
MTTF (average operating time until failure in Years)	1152 Years

Made in Germany