

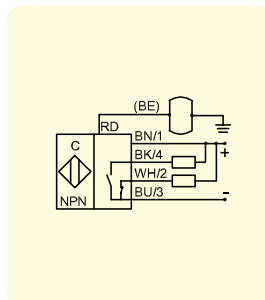
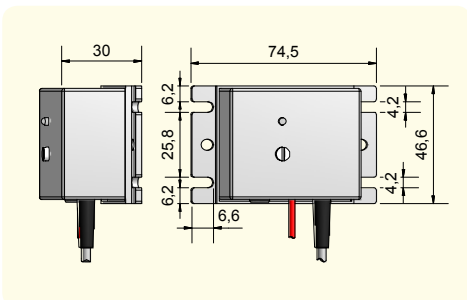


PER **LeVeL** Capacitive filling level evaluation unit - KFA  
NPN output

- For capacitive filling level probes with 1 limit value switching point: KFS-51-“L“-15-Y55
- Operating voltage: 18...36 V DC



Technical data	
Electrical version	4-wire DC
Output function	Antivalent
<b>Type NPN</b>	<b>KFA-5-1-B-N-A-Z02-Y50</b>
<b>Art. No</b>	<b>AF 0005</b>
Operating voltage ( $U_B$ )	18...36 V DC
Voltage drop max. ( $U_D$ )	$\leq 2,5$ V
Permitted residual ripple max.	25 %
Operating current ( $I_a$ )	2 x 0...250 mA
No-load current ( $I_0$ )	Typ. 50 mA
Switching frequency max.	4 Hz
Permitted ambient temperature	-25...+55 °C
LED-Display	Green / yellow
Protective circuit	Built-in
Degree of protection IEC 60529	IP 54
Norm	EN 60947-5-2
Connection cable	2 m, PUR, 4 x 0.14 mm <sup>2</sup>
Housing material	PA



Made in Germany

All specifications are subject to change without notice. (01/2018)