

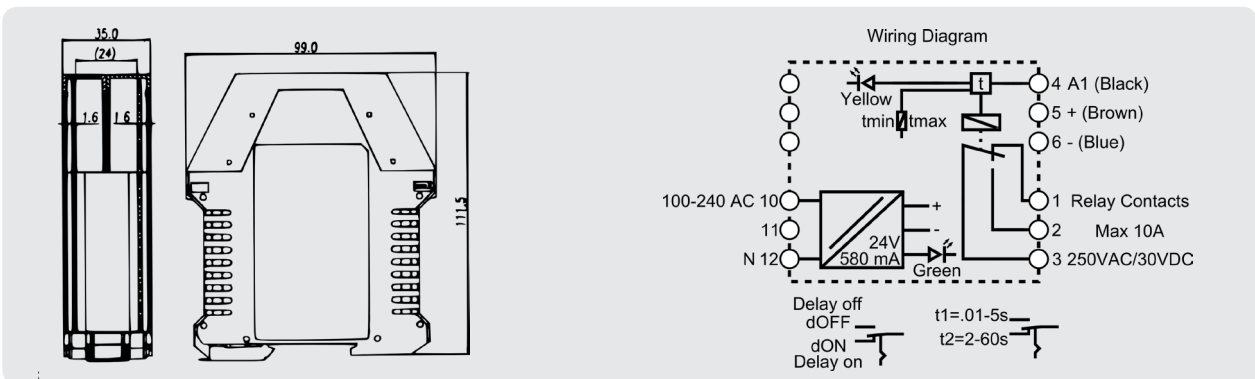


Power Supply Series RLC - Relay Output With Time Delay

- To connect one 2, 3 or 4-wire sensor with NPN or PNP transistor output. When connecting an antivalent sensor (4-wire) the NO or NC output can be connected.
- With one output relay (SPDT) (1 x changeover)
- This control unit provides an energising or de-energising delay, which is programmable by a switch:
A = energising delay, B = de-energising delay



Technical data	
Operating voltage (U_B)	100 / 240 V AC 50 / 60 Hz
No-load current (I_o)	Typ. < 50 mA
Output function	1 x potential-free change-over contact (SPDT) with adjustable ON delay or OFF delay (0.1 to 60 seconds)
Contact rating each relay max.	250 V AC / 30 V DC 10A
Type	EGI-RLC-TD
Art.-No.	NA 7002
Actuating voltage (U_S)	24 V DC
Actuating current max. (I_S)	580 mA
Residual ripple max.	2 %
Actuating signal	PNP or NPN
Permitted ambient temperature	-25...+40 °C
Display	LED green and yellow
Degree of protection IEC 60529	Housing: IP 30 Connections: IP 20
Connection	Screw terminals



Made in Germany

All specifications are subject to change without notice. (19.11.2020)