



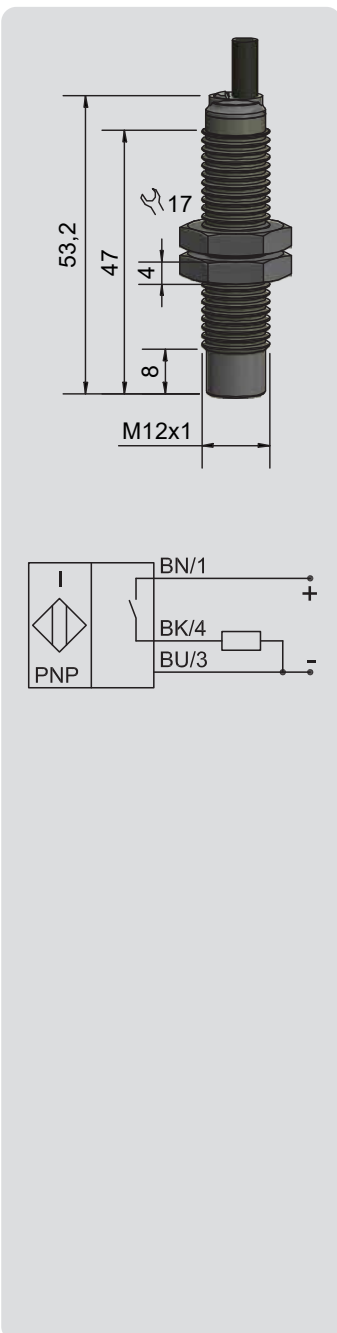
Inductive sensors

Series 10 - PNP

Article number IA0248

Description IAS-10-A22-S-M12-PBT/MS-Z03-0

- Inductive sensor for monitoring and position control
- Housing material: Brass
- Sensing distance $S_n = 4$ mm



Technical data

Mounting	Non-flush mountable
Operating distance S_n	4 mm
Output function	PNP, Normally open
Operating voltage (U_B)	5...36 V DC
Voltage drop max. (U_d)	≤ 1 V
Operating current (I_e)	0...200 mA
No-load current (I_o)	Typ. 10 mA
Frequency of operating cycles max.	2.6 kHz
Permitted ambient temperature	-40...+85 °C
LED-display	Yellow
Protective circuit	Built-in
Degree of protection IEC 60529	IP 68
Norm	EN 60947-5-2
Connection	Cable, 3 m, PUR, 3 x 0.34 mm ²
Housing material	Brass
Active surface	PBT
Lid	PBT
Housing size / Process connection	M 12 x 1
Tightening torque	0...10 Nm
MTTF (average operating time until failure in Years)	1707 Years
Accessories (delivered with the sensor)	2 nuts M 12 x 1