



Adapter Triclamp

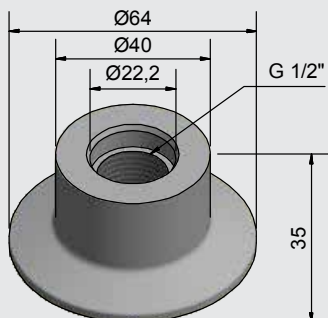
- Housing material: Stainless steel 1.4404 / AISI 316L
- Suitable for Triclamp DN50, according to standard DIN 32676, row A
- Suitable for our sensors with process connection G 1/2" of the LevelMaster, S26 and SmartPaddle series.
- Elektrolytically polished



Technical data

| | |
|---|--|
| Type | A-Tri-G1/2-D64-VAc |
| Art.-No. | 190 755 |
| Material | VA 1.4404 / AISI 316L, FDA-conforming, electrolytically polished |
| Surface quality Ra, part in contact with the medium | 0.8 µm |

All specifications are subject to change without notice. (04.03.2020)



Made in Germany