



Varivent N

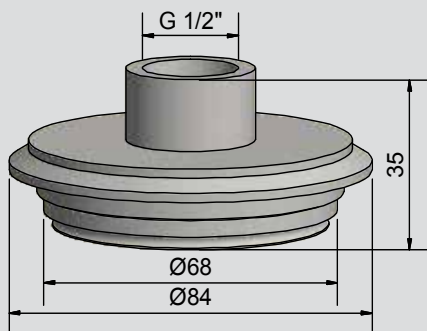
- Model: Varivent N DN 50*
- Housing material: Stainless steel VA No. 1.4435 / AISI 316L
- Suitable for our capacitive sensors:
KAS-70/80-26-...-G1/2"-...
KAS-70/80-P50-...-G1/2"-...



Technical Data

Type	A-VAR-G1/2-D84-VAc
Art. No.	196 395
Housing material	VA 1.4435 / AISI 316L
Surface quality Ra, part in contact with the medium	0,8 µm

All specifications are subject to change without notice. (25.06.2019)



*factory Standard Tuchenhagen

Made in Germany