



Varivent N

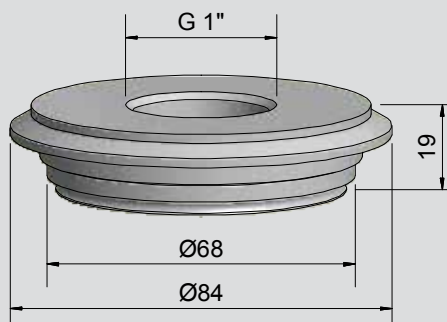
- Model: Varivent N, DN50
- Housing material: Stainless steel VA No. 1.4404 / AISI 316L
- Suitable for our sensors and probes with a process connection G 1"
- Metal sealing



Technical Data

Type	A-VAR-G1-D84-VAc
Art. No.	196 377
Housing material	VA 1.4404 / AISI 316L, FDA-conforming
Surface quality Ra, part in contact with the medium	0,8 µm

All specifications are subject to change without notice. (04.03.2020)



*factory Standard Tuuchenhagen

Made in Germany