



L&V&L Capacitive Filling Level Probe - KFI
Analogue current output 4...20 mA
2 programmable limit value switching points

- Integrated evaluation electronics
- Housing material: PTFE, Ø 16 mm
- Connection head and process connection stainless steel VA no. 1.4305 / AISI 303
- Process connection G1"
- Multifunction probe: Automatic identification of NPN- / PNP function
- Normally open / normally closed function switchable
- Electronic lock

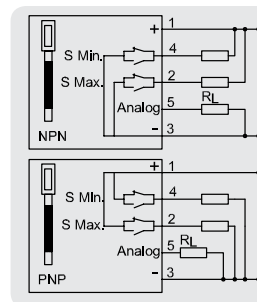
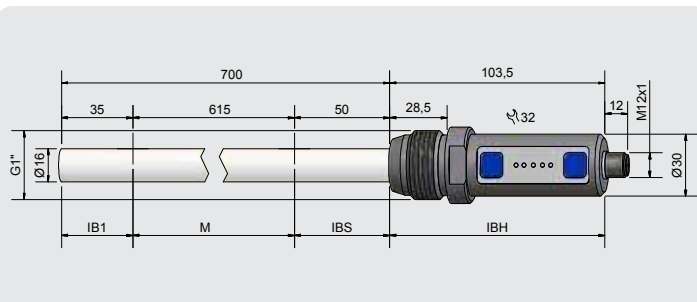


Technical data

Active zone [mm]	615 mm
Electrical version	5 - pin DC
Output function	Analogue, 2 limit value switching points, Normally open / normally closed switchable
Type	KFI-12-700-615-PTFE/VAb-D16-G1-IL-4-ETF-Y10
Art.-No.	KI 0120
Operating voltage (U_b)	18...30 V DC
Permitted residual max.	5 %
Load resistance (R_L)	$\leq 400 \text{ Ohm}$
Output current	100 mA
Power consumption (outputs no-load)	0,8 W
Analogue output	4...20 mA
Switching frequency max.	1 Hz
Permitted ambient temperature	-25...+55 °C
Permitted ambient temperature (for active zone)	-25...+100 °C
Pressure	10 bar
LED-Display	Green / yellow
Protective circuit	Built-in
Degree of protection IEC 60529	IP 67
Norm	EN 60947-5-2*
Connection	Flange connector M 12 x 1
Housing material	VA No. 1.4305 / AISI 303 / polyester
Active zone	PTFE (FDA 21 CFR 177.1550)
For matching connectors please see our selection of accessories.	

*Where applicable

All specifications are subject to change without notice. (05.12.2017)



Other housing materials for the active zone (probe), like PE, GFK, PVDF or PEEK on request.

Made in Germany