



Capacitive Sensors with analogue output Series 40 - NAMUR EN 60947-5-6

Housing Ø 30 mm

- For use in areas with the risk of gas explosion, zone 0
- Housing material: PA / PPO
- Operating range 0...35 mm
- Output current 4...20 mA

DMT 03 ATEX E 048

IECEX BVS 07.0031

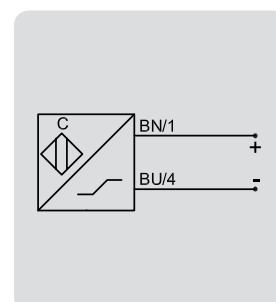
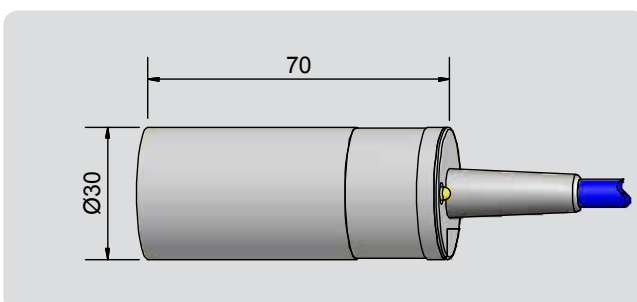
Ex II 1G Ex ia IIC T1-T6 Ga

Ex ia IIC T1-T6 Ga



Technical data	Non-flush mountable
Operating range	0...35 mm
Linear range	0...25 mm
Electrical version	2-wire DC
Output function	Analogue
Type Analogue	KAS-40-35-IL4
Art. No.	KA 1347
Operating voltage (U_B)	15...35 V DC, $U_i = 27$ V DC
Power consumption active surface free	≤ 4 mA
Power consumption active surface covered	≥ 20 mA
Load resistor	R_L 0...500 Ohm
Self-inductance (L)	0.2 mH
Self-capacitance (C)	89 nF
Permitted residual ripple max.	5 %
Frequency of operating cycles max.	50 Hz
Permitted ambient temperature	0...+70 °C
Degree of protection IEC 60529	IP 67*
Norm	EN 60947-5-6
Connection cable	2 m, PUR, 2 x 0.75 mm ²
Housing material	PA / PPO
Active surface	PA / PPO
Lid	PA / PPO

All specifications are subject to change without notice. (05.06.2019)



* With sealed potentiometer screw

Made in Germany