



Inductive Sensors Series 30 - NAMUR EN 60947-5-6

Housing M 30 x 1.5

- For use in areas with the risk of gas explosion, zone 0
- Housing material: Stainless steel VA No. 1.4404 / AISI 316L
- Sensing distance $S_n = 10$ mm

DMT 03 ATEX E 048

IECEX BVS 07.0031

II 1G Ex ia IIC T1-T6 Ga

Ex ia IIC T1-T6 Ga



Technical data

Flush mountable

Operating distance S_n

10 mm

Electrical version

2-wire DC

Output

NAMUR EN 60947-5-6

Type

IAS-30-A14-N

Art.-No.

IA 0377

Operating voltage (U_B)

5 - 15 V DC, $U_i = 15$ V DC

Output current active surface free

> typ. 2 mA

Output current active surface covered

< typ. 1.5 mA

Self-inductance (L)

2 mH

Self-capacitance (C)

250 nF

Permitted residual ripple max.

5 %

Frequency of operating cycles max.

1 kHz

Permitted ambient temperature

-25...+70 °C

LED-display

Yellow

Degree of protection IEC 60529

IP 67

Connection cable

10 m, PUR, 2 x 0.75 mm² (halogenfree)

Housing material

VA No. 1.4404 / AISI 316L

Active surface

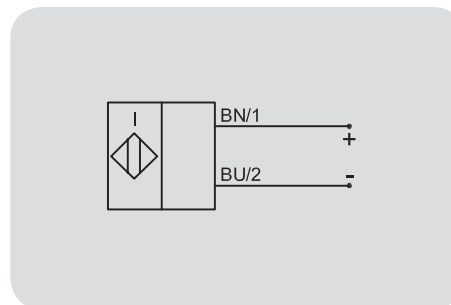
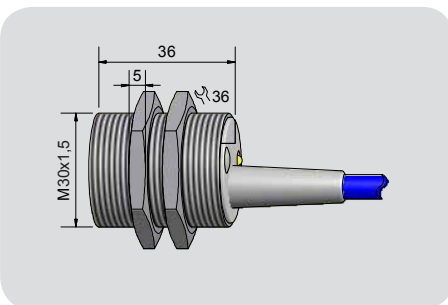
PVC

Lid

PA / PPO

Accessories (is delivered with the unit)

2 nuts M 30



All specifications are subject to change without notice. (18.03.2015)

Made in Germany