



Y95

PER LeVeL® Capacitive Filling Level Probe
1 variable Limit value switching point

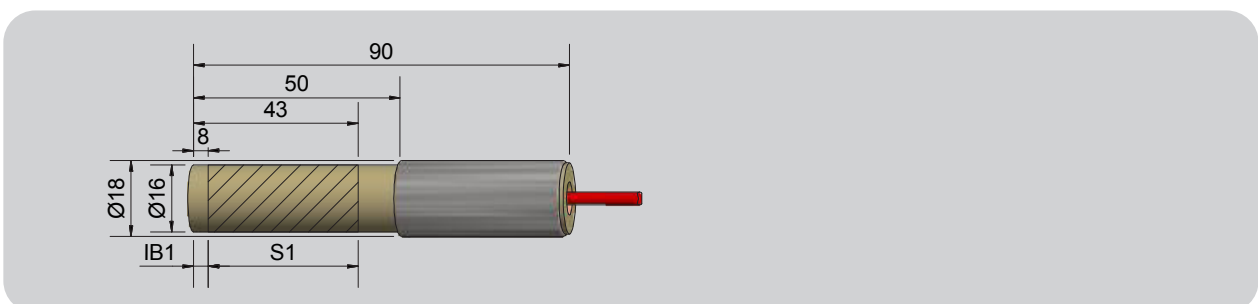
- For connection to the capacitive amplifier KFA-4-1-V08-P-A-FB-Y90
- Housing material: PEEK, Ø 16 mm



Technical data

Active Zone [mm]	8...43, related to probe tip
Type for evaluation unit Y90	KFS-4-1-90-V10/45-Y95-PEEK/VA
Art.-No.	KF 0004
Permitted ambient temperature (for active zone)	-50...+250 °C
Degree of protection IEC 60529 (probe)	IP 68
Norm	EN 60947-5-2
Connection cable to the evaluation unit KFA-4-1-V08-P-A-FB-Y90	1 m triax-cable with connectors
Housing material	Stainless steel VA No. 1.4305 / AISI 303
Housing material active zone	PEEK (FDA 21 CFR 177.2415)

All specifications are subject to change without notice. (25.08.2022)



Made in Germany