

Inductive Sensors Series 10 - PNP - StEx - ATEX

Housing M 18 x 1

- For use in areas with the risk of dust explosion, zone 20
- For use in areas with the risk of gas explosion, zone 1

DMT 01 ATEX E 157

IECEX BVS 07.0015

II 2 G Ex mb IIC T4 Gb

Ex mb IIC T4 Gb

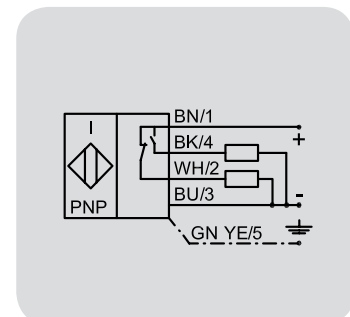
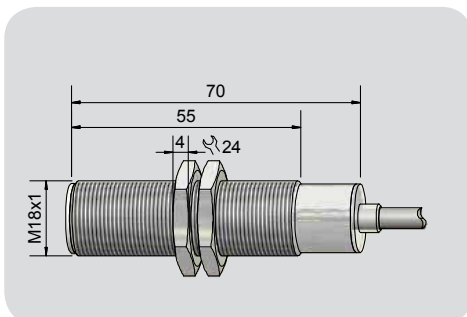
II 1/2 D Ex ta/tb IIIC T101°C Da/Db

Ex ta/tb IIIC T101°C Da/Db



Technical data	Flush mountable
Operating distance S_n	5 mm
Electrical version	4-wire DC
Output function	Antivalent
Type PNP current	IAS-10-A13-A-M18-PTFE/VAc-Z02-0-2G-1/2D
Type PNP	IAS-10-A13-A-PTFE/VA-StEx
Art.-No.	IA 0309
Operating voltage (U_B)	10...30 V DC
Voltage drop max. (U_d)	≤ 2.5 V
Permitted residual ripple max.	10 %
Operating current (I_a)	2 x 0...150 mA
No-load current (I_o)	Typ. 15 mA
Frequency of operating cycles max.	2 kHz
Permitted ambient temperature	-20...+90 °C
LED-display	Green / yellow
Protective circuit	Built-in
Degree of protection IEC 60529	IP 67
Norm	EN 60 947-5-2
Connection cable	5 m, PVC, 5 x 0.14 mm ²
Housing material	VA, No.1.4404 / AISI 316L
Active surface	PTFE (FDA 21 CFR 155.1550)
Lid	PC (FDA 21 CFR 155.1580)
Accessories (delivered with the sensor)	2 nuts M 18 x 1

All specifications are subject to change without notice. (12.08.2016)



Made in Germany