



Capacitive Sensors - S26 Series 80 - PNP

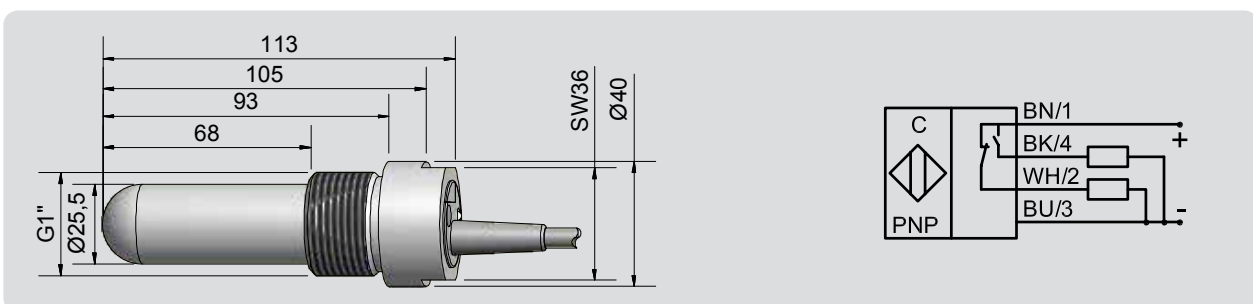
- Type of construction G 1"
- Housing material: PTFE
 - Overfill prevention
 - Leakage control



Technical data	Non-flush mountable
Level sensor, in contact with the product	Medium dependent adjustable
Operating distance min. / max. adjustable	0...20 mm
Electrical version	4-wire DC
Output function	Antivalent
Type PNP	KAS-80-26/113-A-G1-PTFE-Z02-1-HP
Art.-No.	813 100
Operating voltage (U_B)	10...35 V DC
Voltage drop max. (U_d)	≤ 2.0 V
Permitted residual ripple max.	10 %
Operating current (I_e)	2 x 0...250 mA
No-load current (I_o)	Typ. 15 mA
Frequency of operating cycles max.	50 Hz
Permitted ambient temperature	-25...+70 °C / CIP 121 °C
LED-display	Green / yellow
Protective circuit	Built-in
Degree of protection IEC 60529	IP 67*
Norm	EN 60947-5-2
Connection cable	2 m, PVC, 4 x 0.5 mm ²
Housing material	PTFE (FDA 21 CFR 177.1550)
Active surface	PTFE (FDA 21 CFR 177.1550)
Lid	PC (FDA 21 CFR 177.1580)
Media optimized	Yes
Accessories (not delivered with the sensor): For varivent adapter, triclamp adapter and welding socket please see our selection of accessories.	

Capacitive Sensors S26 with hemispherical active surface for level control of products with a dielectric constant ϵ_r from 1, 1. Products can be:

- Bulk material, like plastic granules, powder, cereals, etc.
- Liquids, like water, juice, wine, oil, chemicals or pharmaceutical solutions and much more.
- Pastes in the food, pharmaceutical and cosmetics industry



* With sealed potentiometer screw

Made in Germany