



## Capacitive Sensors Series 80 - PNP - StEx - ATEX

Housing Tri-Clamp

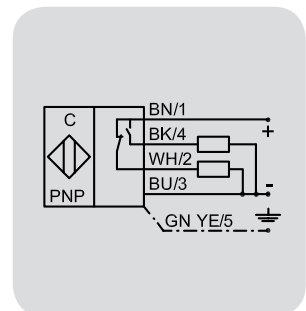
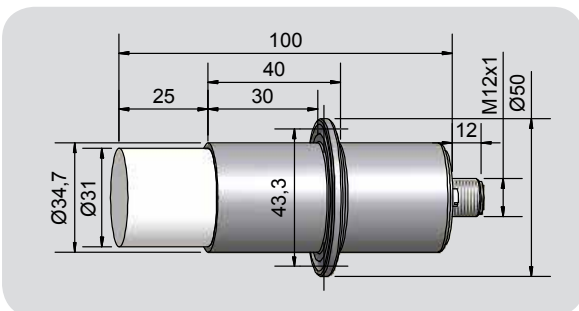
- For use in areas with the risk of dust explosion, zone 20
- Housing material: Stainless steel VA No. 1.4404 / AISI 316L
- Sensing distance 3...30 mm adjustable
- With flange connector M 12 x 1, 5-pin incl. protective wire pin

DMT 01 ATEX E 157	IECEX BVS 07.0015
Ex II 1/2 D Ex ta/tb IIIC T101°C Da/Db	Ex ta/tb IIIC T101°C Da/Db



<b>Technical data</b>	Non-flush mountable
Operating distance $S_n$	20 mm
Operating distance min. / max. adjustable	3...30 mm
Electrical version	4-pin DC
Output function	Antivalent (NO + NC)
<b>Type PNP current</b>	<b>KAS-80-35/100-A-Tri-PTFE/VAc-Y10-1-HP-1/2D</b>
<b>Type PNP</b>	<b>KAS-80-35/100-A-Tri-PTFE/VA-Y10-StEx</b>
<b>Art.-No.</b>	<b>KA 0869</b>
Operating voltage ( $U_b$ )	10...35 V DC
Voltage drop max. ( $U_d$ )	≤ 2.0 V
Permitted residual ripple max.	10 %
Operating current ( $I_b$ )	2 x 0...150 mA
No-load current ( $I_o$ )	Typ. 15 mA
Frequency of operating cycles max.	50 Hz
Permitted ambient temperature	-25...+90 °C
LED-display	Green / yellow
Protective circuit	Built-in
Degree of protection IEC 60529	IP 67*
Norm	EN 60947-5-2
Connection	Flange connector M 12 x 1
Housing material	Stainless steel VA No. 1.4404 / AISI 316L
Active surface	PTFE (FDA 21 CFR 177.1550)
Lid	PC (FDA 21 CFR 177.1580)
Media optimized	Yes
<b>Accessories</b> (delivered with the sensor)	Protective clip
<b>Accessories</b> (not delivered with the sensor): Stainless steel welding nipple DN 25 # 190751, Sealing gasket # 190752, Triclamp mounting clamp # 190750 and matching connectors please see our selection of accessories.	

\* With sealed potentiometer screw



Made in Germany

All specifications are subject to change without notice. (10/2018)