



**i-LEVEL Capacitive Filling Level Probe - KFI**  
**Analogue current output 4...20 mA**  
**2 programmable limit value switching points**

- Integrated evaluation electronics
- Housing material: GFK, Ø 16 mm
- Connection head and process connection stainless steel VA no. 1.4305 / AISI 303
- Process connection G1"
- Multifunction probe: Automatic identification of NPN- / PNP function
- Normally open / normally closed function switchable
- Electronic lock

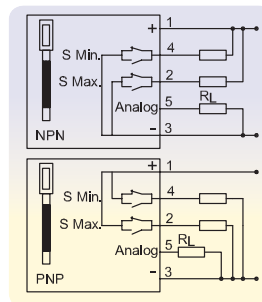
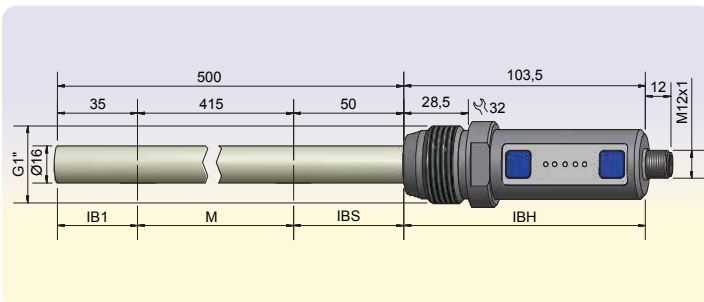


**Technical data**

Active zone [mm]	415 mm
Electrical version	5 - pin DC
Output function	Analogue, 2 limit value switching points, Normally open / normally closed switchable
<b>Type</b>	<b>KFI-12-500-415-GFK/VA-16-G1-IL4-ETF-Y10</b>
<b>Art.-No.</b>	<b>KI 0139</b>
Operating voltage (U <sub>B</sub> )	18...30 V DC
Permitted residual max.	5 %
Load resistance (R <sub>L</sub> )	≤ 400 Ohm
Output current	100 mA
Power consumption (outputs no-load)	0,8 W
Analogue output	4...20 mA
Switching frequency max.	1 Hz
Permitted ambient temperature	-25...+55 °C
Permitted ambient temperature (for active zone)	-25...+100 °C
Pressure	10 bar
LED-Display	Green / yellow
Protective circuit	Built-in
Degree of protection IEC 60529	IP 67
Norm	EN 60947-5-2*
Connection	Flange connector M 12 x 1
Housing material	VA No. 1.4305 / AISI 303 / polyester
Active zone	GFK
For matching connectors please see our selection of accessories.	

All specifications are subject to change without notice. (05/2018)

\*Where applicable



Other housing materials for the active zone (probe), like PE, PTFE, PVDF or PEEK on request.

Made in Germany