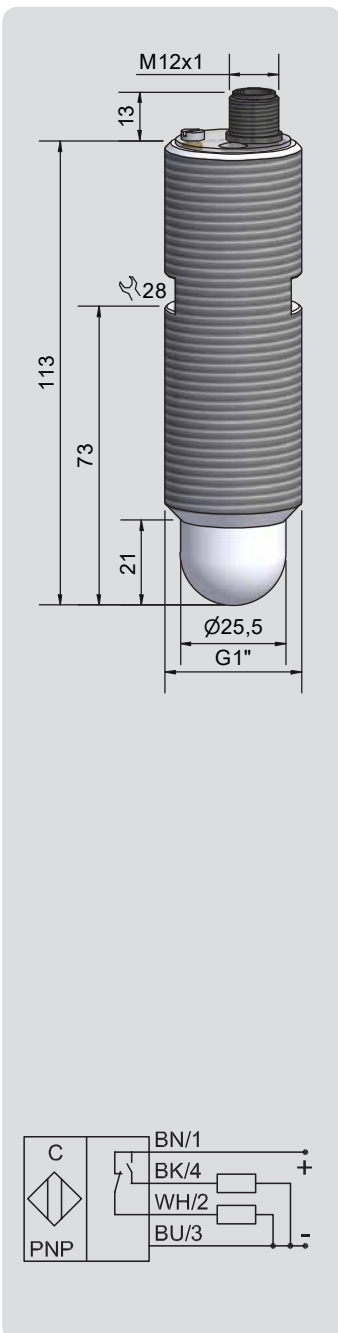




**Capacitive sensors**  
**Series 80 - PNP - ATEX**  
**Article number KA1501**  
**Description KAS-80-26/113-A-G1-PTFE-Y5-1-HP-E-1/2D**

- For use in areas with the risk of dust explosion, zone 20
- Ideal for detection of chemically aggressive media
- Also suitable for food applications
- Housing material PTFE
- With flange connector M 12 x 1



**Technical data**

Mounting	Non-flush mountable
Level sensor, in contact with the product	Medium dependent adjustable
Operating distance min. / max. adjustable	0...20 mm
Sensitivity adjustment	Potentiometer
Output function	PNP, Antivalent
Operating voltage (U <sub>B</sub> )	10...30 V DC
Voltage drop max. (U <sub>d</sub> )	≤ 2.0 V
Permitted residual ripple max.	10 %
Operating current (I <sub>B</sub> )	2 x 0...150 mA
No-load current (I <sub>0</sub> )	Typ. 15 mA
Frequency of operating cycles max.	50 Hz
Permitted ambient temperature	-20...+70 °C / CIP 121 °C
LED-display	Green / yellow
Protective circuit	Built-in
Degree of protection IEC 60529	IP 67 (with sealed potentiometer screw)
Norm	EN 60947-5-2
Connection	Flange connector M 12 x 1 (A-Coded)
Housing material	PTFE (FDA 21 CFR 177.1550)
Active surface	PTFE (FDA 21 CFR 177.1550)
Lid	PC (FDA 21 CFR 177.1580)
Housing size / Process connection	G1"
Media optimized	Yes
Quattro Protect	Yes
ATEX certificate	DMT 01 ATEX E 157
ATEX Product marking Dust	Ex II 1/2 D Ex ta/tb Ex IIIC T101°C Da/Db
IECEx certificate	BVS 07.0015
IECEx Product marking Dust	Ex ta/tb IIIC T <sub>200</sub> 101°C Da/Db
MTTF (average operating time until failure in Years)	272.63 Years
UL CSA certificate	Yes
Accessories (delivered with the sensor)	Protective clip
Matching connectors (not delivered with the sensor)	Female connector M 12, DC, 4 x 0.34 mm <sup>2</sup> , 5 m, #193391 Female connector M 12, DC, 4 x 0.34 mm <sup>2</sup> , 5 m, #193392

Made in Germany