



LevelMaster - Capacitive Sensors - S26

Model G 1/2"

- For level control of conductive and/or viscous liquids or pastes, for instance oil, water, ketchup or honey.
- Ideal for level control in the Food Industry or Pharmaceutical Industry

- Housing material: Stainless steel VA No. 1.4305 (AISI 303)
- Housing design for mounting in an extension tube
- Adjustment of the sensitivity with ETW- Function (EasyTeach by Wire)
- With flange connector M 12 x 1



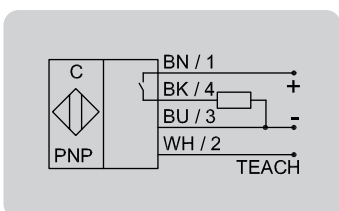
Technical data	Non-flush mountable
Sensitivity	Dielectric constant $\epsilon_r > 1.25$
Electrical version	3-pin DC
Output function	Normally open
Factory setting	Water
Typ PNP	KS-801-26/86-S-PFG1/2-PEEK/VAb-Y3-ETW-HP
Art. No.	KA 1470
Operating voltage (U_B)	12.5...35 V DC
Voltage drop max. (U_d)	≤ 2.0 V
Operating current (I_e)	0...250 mA
No-load current (I_o)	Typ. < 30 mA
Frequency of operating cycles max.	1 Hz
Permitted ambient temperature	-10...+70 °C / CIP 121 °C
Permitted product temperature	0...+100 °C
LED-display	Green / orange
Protective circuit	Built-in
Degree of protection IEC 60529	IP 67, IP 69K
Norm	EN 60947-5-2*
Connection	Connector M 12 x 1
Operating pressure	Max. 10 bar
Housing material	Stainless steel VA No. 1.4305 / AISI 303
Material active surface	PEEK (FDA 21 CFR 177.2415)
Accessories (not supplied with the sensor): For the extension tube please see our selection of accessories.	

Capacitive Sensors of the S26 series with hemispherical active surface for level control of products with a dielectric constant ϵ_r from 1,25. Products such as:

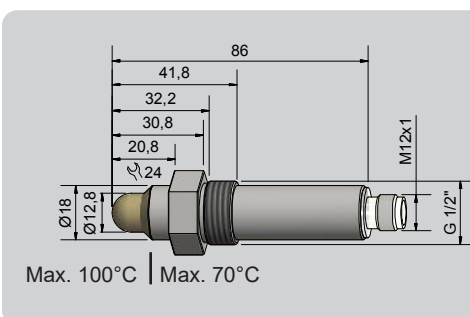
- Liquids, like, juice, wine, oil, chemicals or pharmaceutical solutions and much more.

Highlights:

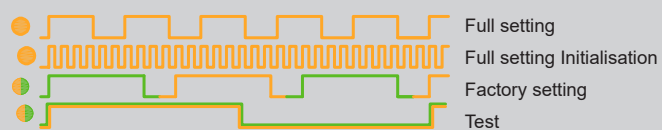
- EHEDG conform
- Measurement is independent of the mounting position
- Permitted pressure on the active area: 10 bar



*Where applicable



EasyTeach chart: LED / Output function
Orange = A1 Green = A1



Made in Germany