



Capacitive Sensors Series 83 - PNP

Housing M 8 x 1

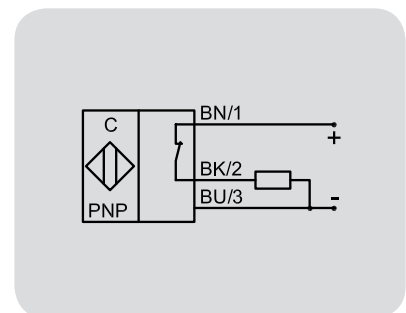
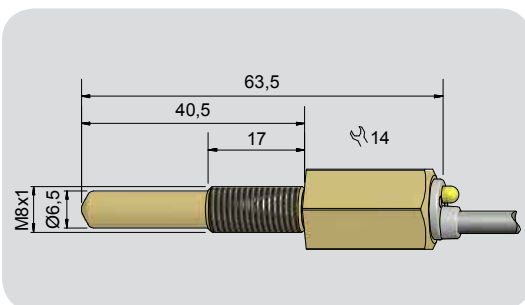
- Housing material: PEEK (FDA 21 CFR 177.2415)
- Level controll of liquids



Technical data	Non-flush mountable
Level sensor, in contact with the product	Medium dependent adjustable
Electrical version	3 wire DC
Output function	Normally closed
Type PNP	KAS-83-A21/63-Ö-M8-PEEK-Z02-1-HP
Art.-No.	KA 1455
Operating voltage (U_B)	10...35 V DC
Voltage drop max. (U_d)	≤ 2.0 V
Permitted residual ripple max.	10 %
Operating current (I_B)	0...150 mA
No-load current (I_0)	Typ. 15 mA
Frequency of operating cycles max.	50 Hz
Permitted ambient temperature	-25...+70 °C
LED-display	Green / yellow
Protective circuit	Built-in
Degree of protection IEC 60529	IP 67*
Norm	EN 60947-5-2
Connection	2 m, PUR 3 x 0,14mm ²
Housing material	PEEK (FDA 21 CFR 177.2415)
Active surface	PEEK (FDA 21 CFR 177.2415)
Lid	PA / PPO
Media optimized	Yes

* With sealed potentiometer screw

All specifications are subject to change without notice. (26.08.2017)



Made in Germany