



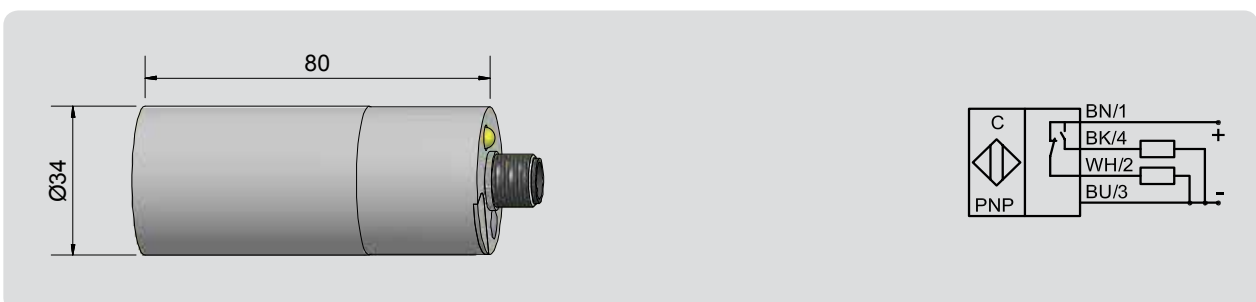
## Capacitive Sensors Series 80 - PNP

- Housing Ø 34 mm
- Housing material: PPO
  - Sensing distance 0...40 mm adjustable



<b>Technical data</b>	Non-flush mountable
Operating distance $S_n$	25 mm
Operating distance min. / max. adjustable	0...40 mm
Electrical version	4-wire DC
Output function	Antivalent
<b>Type PNP</b>	<b>KAS-80-38-A-D34-PPO-Y5-1-HP</b>
<b>Art.-No.</b>	<b>KA 1121</b>
Operating voltage ( $U_B$ )	15...35 V DC
Voltage drop max. ( $U_d$ )	≤ 2.0 V
Permitted residual ripple max.	10 %
Output current max. ( $I_e$ )	2 x 0...250 mA
No-load current ( $I_o$ )	Typ. 15 mA
Frequency of operating cycles max.	50 Hz
Permitted ambient temperature	-25...+70 °C
LED-display	Green / yellow
Protective circuit	Built-in
Degree of protection IEC 60529	IP 67
Norm	EN 60947-5-2
Connection	Flange connector M 12 x 1 (A-coded)
Housing material	PPO
Active surface	PPO
Lid	PPO

All specifications are subject to change without notice. (10.03.2020)



\* With sealed potentiometer screw

**Made in Germany**