



## Capacitive Sensors S26 Series 80 - PNP - StEx - ATEX

Type of construction G 1"

- For use in areas with the risk of dust explosion, zone 20
- Housing material: PEEK
- With flange connector M 12 x 1

DMT 01 ATEX E 157

IECEX BVS 07.0015

Ex II 1/2 D Ex ta/tb IIIC T101°C Da/Db

Ex ta/tb IIIC T101°C Da/Db



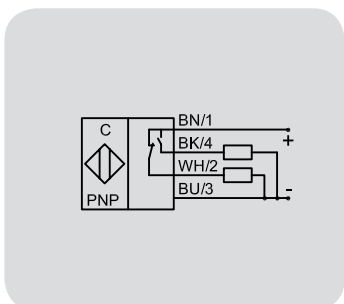
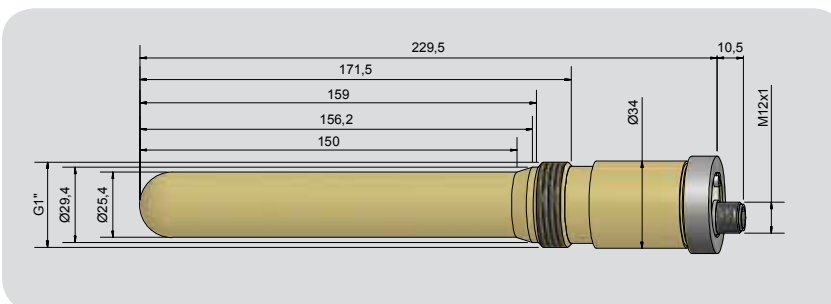
<b>Technical data</b>	Non-flush mountable
Level sensor, in contact with the product	Medium dependent adjustable
Operating distance min. / max. adjustable	0...20 mm
Electrical version	4-pin DC
Output function	Antivalent
<b>Type PNP</b>	<b>KAS-80-26-A-G1"-230-PEEK/VA-Y5-StEx</b>
<b>Art.-No.</b>	<b>KA 0861</b>
Operating voltage ( $U_B$ )	10...30 V DC
Voltage drop max. ( $U_d$ )	≤ 2.0 V
Permitted residual ripple max.	10 %
Operating current ( $I_e$ )	2 x 0...150 mA
No-load current ( $I_o$ )	Typ. 15 mA
Frequency of operating cycles max.	50 Hz
Permitted ambient temperature	-20...+90 °C / CIP 121 °C (zero-current)
LED-display	Green / yellow
Protective circuit	Built-in
Degree of protection IEC 60529	IP 67*
Norm	EN 60947-5-2
Connection	Flange connector M 12 x 1
Housing material	PEEK (FDA 21 CFR 177.2415)
Active surface	PEEK (FDA 21 CFR 177.2415)
Lid	PC (FDA 21 CFR 177.1580) VA No. 1.4305 / AISI 303
Media optimized	Yes
<b>Accessories</b> (delivered with the sensor)	Protective clip
<b>Accessories</b> (not delivered with the sensor): For varivent adapter, triclamp adapter, welding socket and matching connectors please see our selection of accessories.	

Capacitive Sensors S26 with hemispherical active surface for level control of products with a dielectric constant  $\epsilon_r$  as of 1,1. Products can be:

- Bulk material, like plastic granules, powder, cereals, etc.
- Liquids, like water, juice, wine, oil, chemicals or pharmaceutical solutions and much more.
- Pastes in the food processing industry, liquid glue, resins or glue, etc.

All specifications are subject to change without notice. (02/2017)

\* With sealed potentiometer screw



**Made in Germany**