



Capacitive Evaluator - KXA
Series KXS-Extrem - NPN
Series KXS-Extrem - PNP

- KXA-... for connection of 4 capacitive Sensors KXS-M18/... to -M32/...
- KXA-...MINI for connection of 4 capacitive Sensors KXS-M5/... to -M12/...
- With sensor break control
- Extension possible with slave function

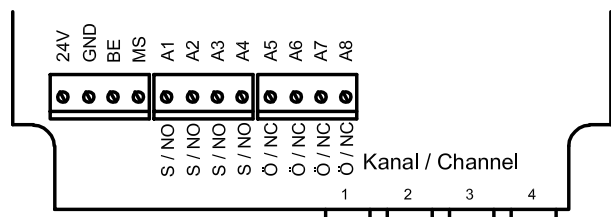
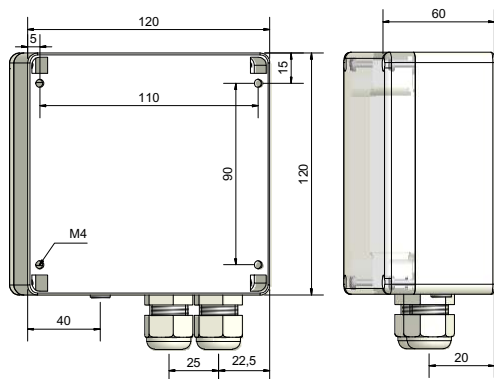
Certificate:



Technical data

Output function	4 x Normally open (NO)	4 x Normally open (NO)
Type NPN	KXA-5-4-N-S-4FB-Ö-CC-MINI	KXA-5-4-N-S-4FB-Ö-CC
Art.-No.	XA 0033	XA 0034
Connection diagram No.	See below	See below
Type PNP	KXA-5-4-P-S-4FB-Ö-CC-MINI	KXA-5-4-P-S-4FB-Ö-CC
Art.-No.	XA 0024	XA 0020
Connection diagram No.	See below	See below
Operating voltage (U _B)	18...36 V DC	18...36 V DC
Output current max. (I _o)	400 mA each output	400 mA each output
Permitted residual ripple max.	40 %	40 %
No-load current (I _o)	Typ. 130 mA	Typ. 130 mA
Permitted ambient temperature	-25...+55 °C	-25...+55 °C
LED - display	Green / yellow	Green / yellow
Protective circuit	Built-in	Built-in
Degree of protection IEC 60529	IP 54	IP 54
Norm	EN 60947-5-2	EN 60947-5-2
Connection	Screw terminals and triax socket	Screw terminals and triax socket
Housing material	ABS	ABS
Wire break control	1 x each channel	1 x each channel
Output wire break	4 x Normally closed (NC)	4 x Normally closed (NC)

All specifications are subject to change without notice. (10/2011)



Made in Germany