



**Capacitive Evaluator - KXA**  
**Series KXS-Extrem - NPN**  
**Series KXS-Extrem - PNP**

- KXA-... for connection of 4 capacitive Sensors KXS-M18/... to -M32/...
- KXA-...MINI for connection of 4 capacitive Sensors KXS-M5/... to -M12/...
- With sensor break control
- Extension possible with slave function

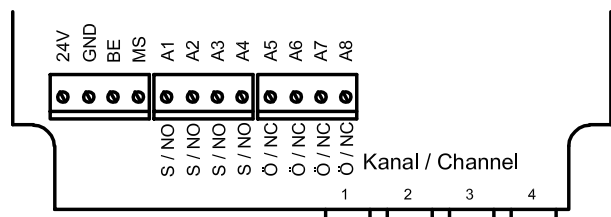
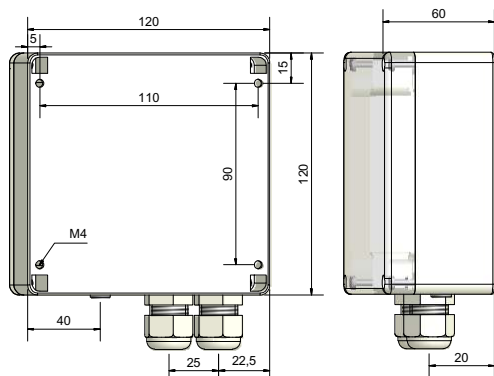
Certificate:



**Technical data**

Output function	4 x Normally open (NO)	4 x Normally open (NO)
<b>Type NPN</b>	<b>KXA-5-4-N-S-4FB-Ö-CC-MINI</b>	<b>KXA-5-4-N-S-4FB-Ö-CC</b>
<b>Art.-No.</b>	<b>XA 0033</b>	<b>XA 0034</b>
Connection diagram No.	See below	See below
<b>Type PNP</b>	<b>KXA-5-4-P-S-4FB-Ö-CC-MINI</b>	<b>KXA-5-4-P-S-4FB-Ö-CC</b>
<b>Art.-No.</b>	<b>XA 0024</b>	<b>XA 0020</b>
Connection diagram No.	See below	See below
Operating voltage (U <sub>B</sub> )	18...36 V DC	18...36 V DC
Output current max. (I <sub>o</sub> )	400 mA each output	400 mA each output
Permitted residual ripple max.	40 %	40 %
No-load current (I <sub>o</sub> )	Typ. 130 mA	Typ. 130 mA
Permitted ambient temperature	-25...+55 °C	-25...+55 °C
LED - display	Green / yellow	Green / yellow
Protective circuit	Built-in	Built-in
Degree of protection IEC 60529	IP 54	IP 54
Norm	EN 60947-5-2	EN 60947-5-2
Connection	Screw terminals and triax socket	Screw terminals and triax socket
Housing material	ABS	ABS
Wire break control	1 x each channel	1 x each channel
Output wire break	4 x Normally closed (NC)	4 x Normally closed (NC)

All specifications are subject to change without notice. (10/2011)



Made in Germany