



## Capacitive Sensors Series 80 - PNP

Housing M 8 x 1

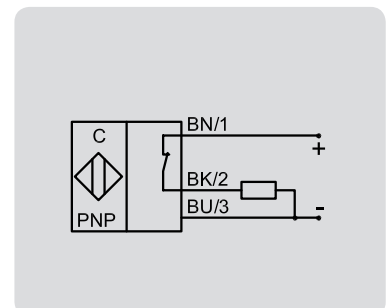
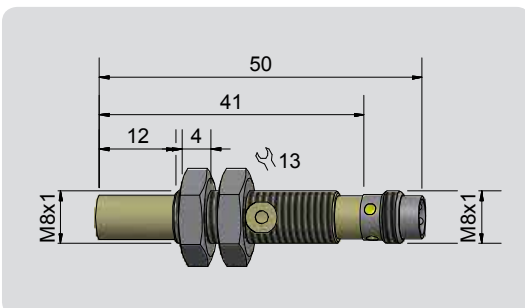
- Housing material: PEEK (FDA 21 CFR 177.2415)
- Sensing distance 0.5...4 mm adjustable with 270° potentiometer
- With flange connector M 8 x 1



<b>Technical data</b>	Non-flush mountable
Operating distance $S_n$	2 mm
Operating distance min. / max. adjustable	0.5...4 mm
Electrical version	3 pin DC
Output function	Normally open
<b>Type PNP</b>	<b>KAS-80-A21-S-M8-PEEK-Y7-1-HP</b>
<b>Art.-No.</b>	<b>KA 1380</b>
Operating voltage ( $U_B$ )	10...35 V DC
Voltage drop max. ( $U_d$ )	≤ 2.0 V
Permitted residual ripple max.	10 %
Operating current ( $I_e$ )	0...150 mA
No-load current ( $I_o$ )	Typ. 15 mA
Frequency of operating cycles max.	50 Hz
Permitted ambient temperature	-25...+70 °C
LED-display	Yellow
Protective circuit	Built-in
Degree of protection IEC 60529	IP 67*
Norm	EN 60947-5-2
Connection	Flange connector M 8 x 1
Housing material	PEEK (FDA 21 CFR 177.2415)
Active surface	PEEK (FDA 21 CFR 177.2415)
<b>Accessories</b> (is delivered with the sensor)	2 nuts M 8 x 1
For matching connectors please see our selection of accessories.	

All specifications are subject to change without notice. (15.09.2015)

\* With sealed potentiometer screw



**Made in Germany**