



Capacitive Sensors with Analogue Output Series 80 - PNP

Output current 4...20 mA / 20...4 mA
Voltage output 0...10 V / 10...0 V

Housing M 30 x 1.5

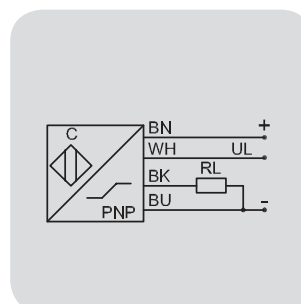
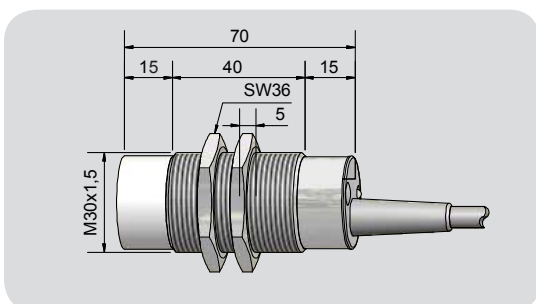
- Housing material: Brass
- Operating range 0...24 mm
- Current and voltage output in the same sensor.



| Technical data | Non-flush mountable | Non-flush mountable |
|---------------------------------------|-----------------------------------|-----------------------------------|
| Operating range | 0...24 mm | 0...24 mm |
| Linear range | 0...19 mm | 0...19 mm |
| Electrical version | 4-wire DC | 4-wire DC |
| Output function | Analogue | Analogue |
| Type Analogue | KAS-80-A24-IL20/UL10 | KAS-80-A24-IL4/UL0 |
| Art. No. | KA 1315 | KA 1314 |
| Operating voltage (U _B) | 15...30 V DC | 15...30 V DC |
| Output signal | 20...4 mA, 10...0 V | 4...20 mA, 0...10 V |
| Permitted residual ripple max. | 5 % | 5 % |
| No-load current (I ₀) | ≤ 40 mA | ≤ 40 mA |
| Output current active surface free | ≥ 20 mA | ≤ 4 mA |
| Output current active surface covered | ≤ 4 mA | ≥ 20 mA |
| Load resistor (R _L) | 0...600 Ohm | 0...600 Ohm |
| Permitted ambient temperature | 0...+70 °C | 0...+70 °C |
| LED-display | Yellow / green | Yellow / green |
| Protective circuit | Built-in | Built-in |
| Degree of protection IEC 60529 | IP 67* | IP 67* |
| Norm | EN 60947-5-2, EN 60947-5-7** | EN 60947-5-2, EN 60947-5-7** |
| Connection | 2 m, PVC, 4 x 0.5 mm ² | 2 m, PVC, 4 x 0.5 mm ² |
| Housing material | Brass | Brass |
| Active surface | PTFE (FDA 21 CFR 177.1550) | PTFE (FDA 21 CFR 177.1550) |
| Lid | PA / PPO | PA / PPO |

* With sealed potentiometer screw

** Where applicable



Accessories
(is delivered with the unit)
2 pieces nuts M 30

Made in Germany