



## Capacitive Sensors Series 80 - PNP

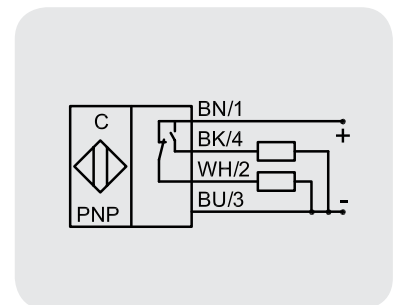
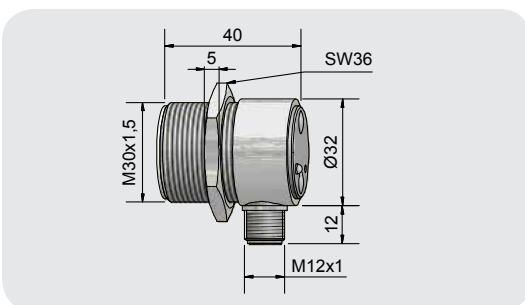
Housing M 30 x 1.5

- Housing material: Brass
- Sensing distance 0.5...25 mm adjustable
- With flange connector M 12 x 1



<b>Technical data</b>	Flush mountable
Operating distance $S_n$	10 mm
Operating distance min. / max. adjustable	0.5...25 mm
Electrical version	4-pin DC
Output function	Antivalent (NO + NC)
<b>Type PNP</b>	<b>KAS-80-A14/40-A-M30-PTFE/MS-Y5-1-HP</b>
<b>Art.-No.</b>	<b>KA 1099</b>
Operating voltage ( $U_b$ )	10...35 V DC
Voltage drop max. ( $U_d$ )	≤ 2.0 V
Permitted residual ripple max.	10 %
Output current max. ( $I_o$ )	2 x 0...200 mA
No-load current ( $I_o$ )	Typ. 15 mA
Frequency of operating cycles max.	200 Hz
Permitted ambient temperature	-25...+70 °C
LED-display	Green / yellow
Protective circuit	Built-in
Degree of protection IEC 60529	IP 67*
Norm	EN 60947-5-2
Connection	Flange connector M 12 x 1
Housing material	Brass
Active surface	PTFE (FDA 21 CFR 177.1550)
Lid	PVC
Media optimized	Yes
<b>Accessories</b> (delivered with the sensor)	1 nut M 30 x 1.5
<b>Accessories</b> (not delivered with the sensor): For matching connectors please see our selection of accessories.	

\* With sealed potentiometer screw



**Made in Germany**

All specifications are subject to change without notice. (14.02.2018)