



Capacitive Sensors Series 80 - PNP - StEx - ATEX

Housing M 30 x 1.5

- For use in areas with the risk of dust explosion, zone 20
- Sensing distance 3...25 mm adjustable
- With flange connector M 12 x 1, 5-pin incl. protective wire pin

DMT 01 ATEX E 157

IECEx BVS 07.0015

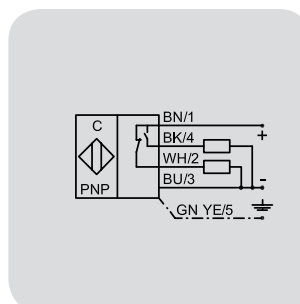
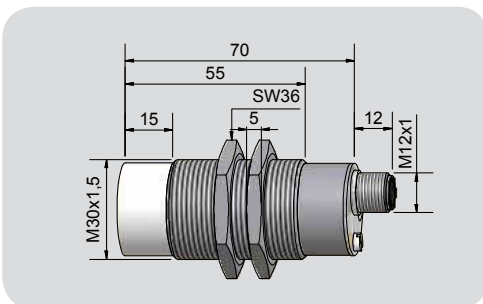
Ex II 1/2 D Ex ta/tb IIIC T101°C Da/Db

Ex ta/tb IIIC T101°C Da/Db



| | |
|---|--|
| Technical data | Non-flush mountable |
| Operating distance S_n | 15 mm |
| Operating distance min. / max. adjustable | 3...25 mm |
| Electrical version | 4-pin DC |
| Output function | Antivalent |
| Type PNP | KAS-80-A24-A-Y10-StEx |
| Art.-No. | KA 0864 |
| Operating voltage (U_B) | 10...30 V DC |
| Voltage drop max. (U_g) | ≤ 2.0 V |
| Permitted residual ripple max. | 5 % |
| Operating current (I_a) | 2 x 0...150 mA |
| No-load current (I_o) | Typ. 15 mA |
| Frequency of operating cycles max. | 50 Hz |
| Permitted ambient temperature | -20...+70 °C |
| LED-display | Green / yellow |
| Protective circuit | Built-in |
| Degree of protection IEC 60529 | IP 67* |
| Norm | EN 60947-5-2 |
| Connection | Flange connector M 12 x 1 |
| Housing material | VA No. 1.4305 / AISI 303 |
| Active surface | PTFE (FDA 21 CFR 177.1550) |
| Lid | PC (FDA 21 CFR 177.1580) |
| Media optimized | Yes |
| Accessories (delivered with the sensor) | 2 pieces nuts M 30 x 1.5, Protective clip |
| Accessories (not delivered with the sensor): | For matching connectors please see our selection of accessories. |

* With sealed potentiometer screw



Made in Germany

All specifications are subject to change without notice. (08/2018)