



Inductive Sensors Series 10 - PNP - StEx - ATEX

Housing M 30 x 1.5

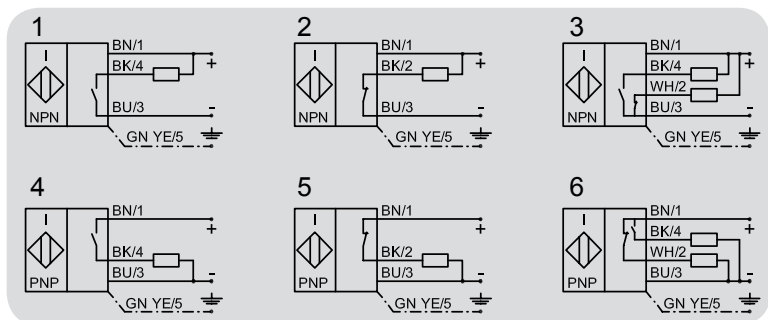
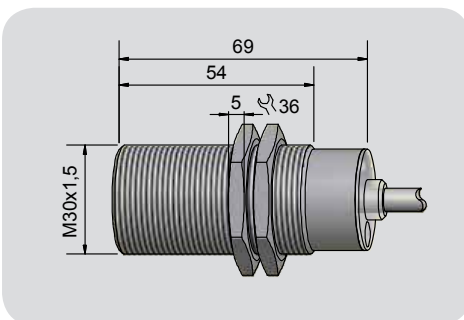
- Housing material: Brass
- For use in areas with the risk of dust explosion, zone 20
- For use in areas with the risk of gas explosion, zone 1
- Sensing distance S_n 10 mm

| | |
|--|----------------------------|
| DMT 01 ATEX E 157 | IECEX BVS 07.0015 |
| Ex II 2 G Ex mb IIC T4 Gb | Ex mb IIC T4 Gb |
| Ex II 1/2 D Ex ta/tb IIIC T101°C Da/Db | Ex ta/tb IIIC T101°C Da/Db |



| | |
|--|-------------------------------------|
| Technical data | Flush mountable |
| Operating distance S_n | 10 mm |
| Electrical version | 4-wire DC |
| Output | Antivalent |
| Type NPN | |
| Art.-No. | |
| Connection diagram No. | |
| Type PNP | IAS-10-A14-A-StEx |
| Art.-No. | IA 0262 |
| Connection diagram No. | 6 |
| Operating voltage (U_b) | 10...30 V DC |
| Voltage drop max. (U_d) | ≤ 2.5 V |
| Permitted residual ripple max. | 10 % |
| Operating current (I_o) | 2 x 0...150 mA |
| No-load current (I_o) | Typ. 15 mA |
| Frequency of operating cycles max. | 1 kHz |
| Permitted ambient temperature | -20...+90 °C |
| LED-display | Green / yellow |
| Protective circuit | Built-in |
| Degree of protection IEC 60529 | IP 67 |
| Norm | EN 60 947-5-2 |
| Connection cable | 20 m, PVC, 5 x 0.34 mm ² |
| Housing material | Brass |
| Active surface | PTFE (FDA 21 CFR 177.1550) |
| Lid | PC (FDA 21 CFR 177.1580) |
| Accessories (delivered with the sensor) | 2 nuts M 30 x 1.5 |

All specifications are subject to change without notice. (14.09.2016)



Made in Germany