



Inductive Sensors

Series 10 - PNP-StEx-ATEX

Housing M 18 x 1

- Housing material: Stainless steel VA
- For use in areas with the risk of dust explosion, zone 20
- For use in areas with the risk of gas explosion, zone 1
- Sensing distance S_n 5 mm

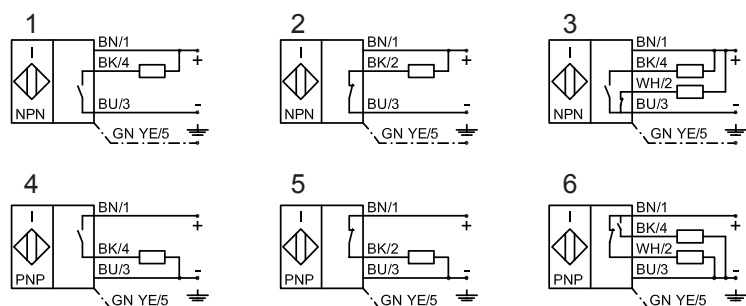
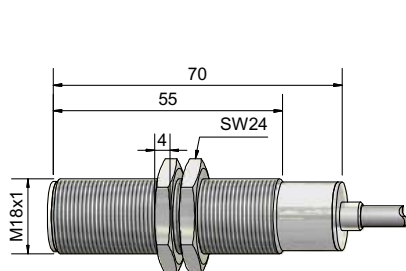
Certificate:



DMT 01 ATEX E 157	IECEX BVS 07.0015
⚡ II 2 G EEx m II T4	Ex mb II T4
⚡ II 1/2 D IP67 T101°C	Ex tD A20/21 IP 67 T101°C

Technical data	Flush mountable
Operating distance S_n	5 mm
Electrical version	4-wire DC
Output function	Antivalent (NO + NC)
Type NPN	
Art.-No.	
Connection diagram No.	
Type PNP	
	IAS-10-A13-A-StEx
Art.-No.	IA 0260
Connection diagram No.	6
Operating voltage (U_B)	10...30 V DC
Output current max. (I_e)	2 x 150 mA
Voltage drop max. (U_d)	≤ 2.5 V
Permitted residual ripple max.	10 %
No-load current (I_o)	Typ. 15 mA
Frequency of operating cycles max.	2 kHz
Permitted ambient temperature	-20...+90 °C
LED-display	Green / yellow
Protective circuit	Built-in
Degree of protection IEC 60529	IP 67
Norm	EN 60 947-5-2
Connection cable	5 m, PVC, 5 x 0.14 mm ²
Housing material	VA No. 1.4305
Active surface	PTFE (FDA 21 CFR 155.1550)
Lid	PC (FDA 21 CFR 155.1580)

All specifications are subject to change without notice. (18.01.2011)



Made in Germany