



Evaluation Unit For Inductive High-Temperature Sensors Series - 250 • PNP

- Housing 98.5 x 64 x 34.5 mm
- For connection to inductive high-temperature sensors IS-250-...
 - Housing material: Aluminium

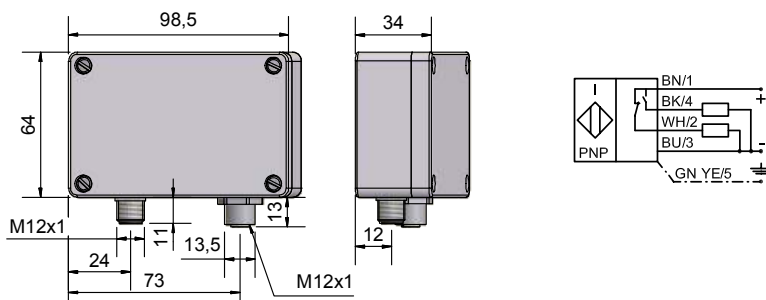
Certificate:



Technical data

Electrical version	5-pin DC	5-pin DC	5-pin DC
Output	Antivalent (NO + NC)	Antivalent (NO + NC)	Antivalent (NO + NC)
Type PNP	ISA-10-250-A-Y10-M12 for 2 m*	ISA-10-250-A-Y10-M18 for 2 m*	ISA-10-250-A-Y10-M30/M32 for 2 m*
Art.-No.	IA 0133	IA 0132	IA 0130
Type PNP		ISA-10-250-A-Y10-M18 for 5 m*	ISA-10-250-A-Y10-M30/M32 for 5 m*
Art. No.		IA 0209	IA 0207
Type PNP			ISA-10-250-A-Y10-M30/M32 for 10 m*
Art. No.			IA 0208
Operating voltage (U_B)	10...35 V DC	10...35 V DC	10...35 V DC
Output current max. (I_o)	2 x 250 mA	2 x 250 mA	2 x 250 mA
Voltage drop max. (U_o)	≤ 2.5 V	≤ 2.5 V	≤ 2.5 V
Permitted residual ripple max.	10 %	10 %	10 %
No-load current (I_o)	Typ. 15 mA	Typ. 15 mA	Typ. 15 mA
Frequency of operating cycles max.	50 Hz	50 Hz	50 Hz
Permitted ambient temperature	-25...+70 °C	-25...+70 °C	-25...+70 °C
Protective circuit	Built-in	Built-in	Built-in
Degree of protection IEC 60529	IP 67	IP 67	IP 67
Norm	EN 60 947-5-2	EN 60 947-5-2	EN 60 947-5-2
Connection	Connector M 12 x 1	Connector M 12 x 1	Connector M 12 x 1
Housing material	AL	AL	AL

*Connection cable between high-temperature sensor and evaluation unit



Made in Germany

All specifications are subject to change without notice. (11/2011)