



**Capacitive Evaluation Unit - KFA**  
**Series** PER **LEVEL**  
**Relay output**

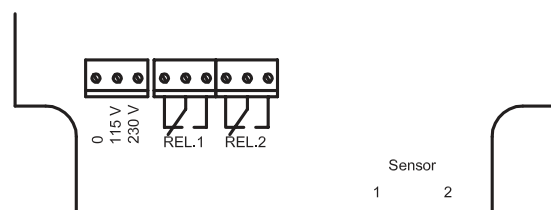
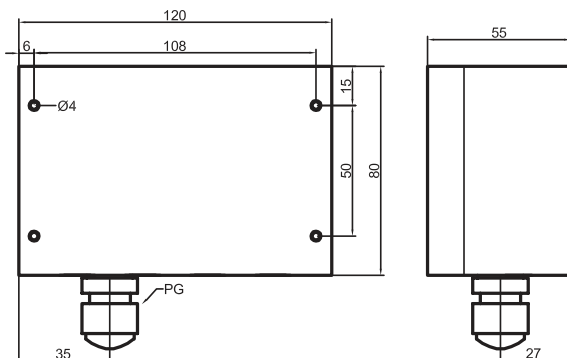
- For capacitive filling level probes with 2 limit value switching points  
 KFS-5-2-...-Y55 or 2 probes with 1 limit value switching point  
 KFS-5-1-...-Y55
- Operating voltage 115 / 230 V AC

Certificate:



Technical data

Output	2 x change-over contact each channel
Type	KFA-5-2-XL-II-CC-Y50
Art.-No.	AF 0102
Operating voltage (U <sub>B</sub> )	105...125/207...253 AC 50/60 Hz
Contact rating each relay max.	Max. 120 V DC / 1A - 250 V AC/4A
Permitted residual ripple max.	-
Power consumption	Typ. 3 VA
Permitted ambient temperature	-25...+55 °C
LED-display	Green (U <sub>B</sub> stand by)
LED-display	Static: green / red (full / empty)
Protective circuit	-
Norm	EN 60947-5-2
Degree of protection IEC 60529	IP 54
Connection	CC-Screwing clamp terminals and ODU-sockets
Housing material	ABS



Made in Germany

All specifications are subject to change without notice. (10/2008)