



**PER LEVEL Capacitive Evaluation Unit - KFA**  
**NPN Output**  
**PNP Output**

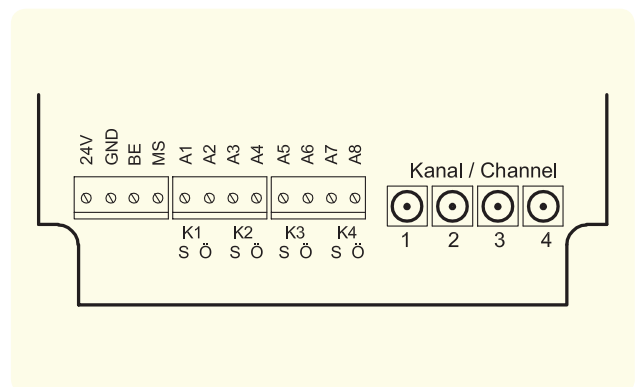
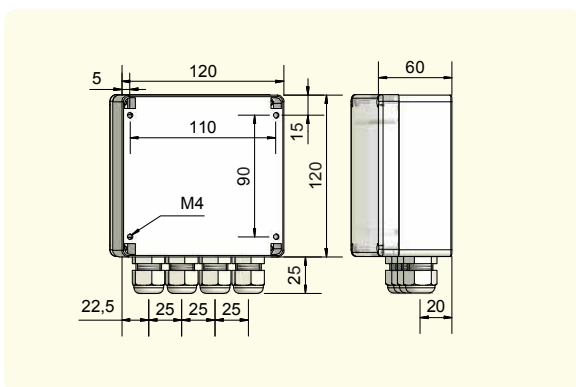
- For capacitive filling level probes with 1, 2 3 or 4 limit value switching points KFS-5...-Y75
- Operating voltage 18...36 V DC
- With Combicon connection



**Technical data**

Output function	4 x antivalent
Type NPN	KFA-5-4-XXL-N-A-CC-Y70
Art. No	AF 0096
Type PNP	KFA-5-4-XXL-P-A-CC-Y70
Art. No.	AF 0080
Operating voltage ( $U_B$ )	18...36 V DC
Voltage drop max. ( $U_d$ )	$\leq 2.5$ V
Permitted residual ripple max.	25 %
Operating current ( $I_B$ )	0...250 mA each channel
No-load current ( $I_o$ )	Typ. 120 mA
Switching frequency max.	4 Hz
Permitted ambient temperature	-25... +55 °C
LED-Display	Green / yellow
Protective circuit	Built-in
Degree of protection IEC 60529	IP 54
Norm	EN 60947-5-2
Connection	Screwing clamp terminals and sockets
Housing material	ABS

All specifications are subject to change without notice. (11/2016)



Made in Germany