

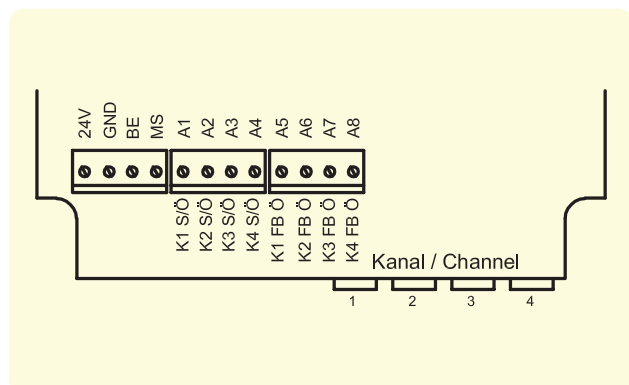
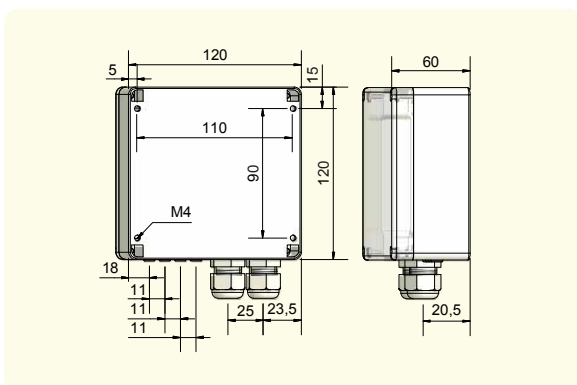


PER **LeVeL** Capacitive Evaluation Unit - KFA
NPN Output
PNP Output

- For capacitive filling level probes with 1, 2 3 or 4 limit value switching points KFS-5...-Y55
- With sensor break control
- Operating voltage 18...36 V DC
- With Combicon connection



Technical data		
Output function	4 x Normally open	4 x Normally closed
Type NPN	KFA-5-4-XXL-N-S-4FB-CC-Y50	KFA-5-4-XXL-N-Ö-4FB-CC-Y50
Art. No	AF 0091	AF 0090
Type PNP	KFA-5-4-XXL-P-S-4FB-CC-Y50	KFA-5-4-XXL-P-Ö-4FB-CC-Y50
Art. No.	AF 0046	AF 0089
Operating voltage (U_B)	18...36 V DC	18...36 V DC
Voltage drop max. (U_d)	≤ 2.5 V	≤ 2.5 V
Permitted residual ripple max.	25 %	25 %
Operating current (I_o)	0...250 mA each channel	0...250 mA each channel
No-load current (I_o)	Typ. 130 mA	Typ. 130 mA
Switching frequency max.	4 Hz	4 Hz
Permitted ambient temperature	-25...+55 °C	-25...+55 °C
LED-Display	Green / yellow	Green / yellow
Protective circuit	Built-in	Built-in
Degree of protection IEC 60529	IP 54	IP 54
Norm	EN 60947-5-2	EN 60947-5-2
Connection	Screwing clamp terminals and sockets	Screwing clamp terminals and sockets
Housing material	ABS	ABS



Made in Germany

All specifications are subject to change without notice. (11/2016)