

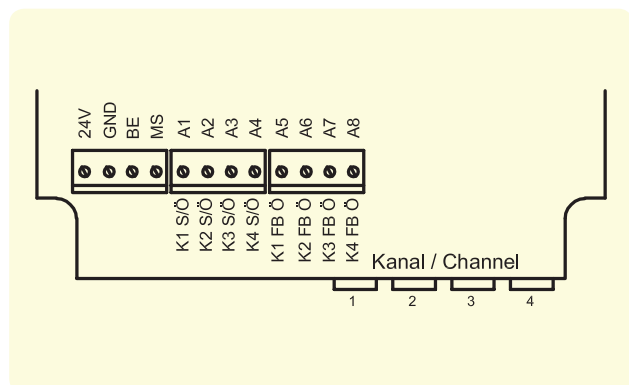
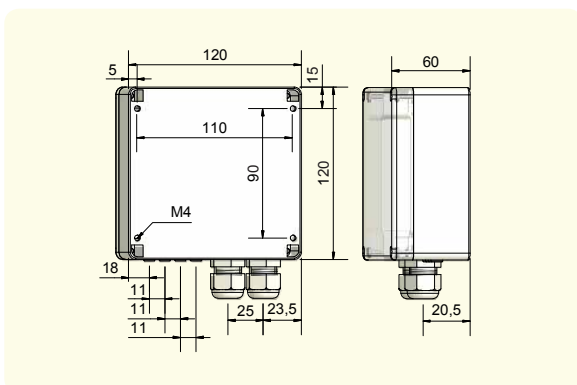


PER **LeVeL** Capacitive Evaluation Unit - KFA
NPN Output
PNP Output

- For capacitive filling level probes with 1, 2 3 or 4 limit value switching points KFS-5...-Y55
- With sensor break control
- Operating voltage 18...36 V DC
- With Combicon connection



| Technical data | | |
|--------------------------------|--------------------------------------|--------------------------------------|
| Output function | 4 x Normally open | 4 x Normally closed |
| Type NPN | KFA-5-4-XXL-N-S-4FB-CC-Y50 | KFA-5-4-XXL-N-Ö-4FB-CC-Y50 |
| Art. No | AF 0091 | AF 0090 |
| Type PNP | KFA-5-4-XXL-P-S-4FB-CC-Y50 | KFA-5-4-XXL-P-Ö-4FB-CC-Y50 |
| Art. No. | AF 0046 | AF 0089 |
| Operating voltage (U_B) | 18...36 V DC | 18...36 V DC |
| Voltage drop max. (U_d) | ≤ 2.5 V | ≤ 2.5 V |
| Permitted residual ripple max. | 25 % | 25 % |
| Operating current (I_o) | 0...250 mA each channel | 0...250 mA each channel |
| No-load current (I_o) | Typ. 130 mA | Typ. 130 mA |
| Switching frequency max. | 4 Hz | 4 Hz |
| Permitted ambient temperature | -25...+55 °C | -25...+55 °C |
| LED-Display | Green / yellow | Green / yellow |
| Protective circuit | Built-in | Built-in |
| Degree of protection IEC 60529 | IP 54 | IP 54 |
| Norm | EN 60947-5-2 | EN 60947-5-2 |
| Connection | Screwing clamp terminals and sockets | Screwing clamp terminals and sockets |
| Housing material | ABS | ABS |



Made in Germany

All specifications are subject to change without notice. (11/2016)