



PER **LeV&L** Capacitive evaluation unit - KFA

**NPN output**  
**PNP output**

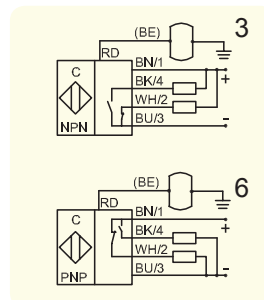
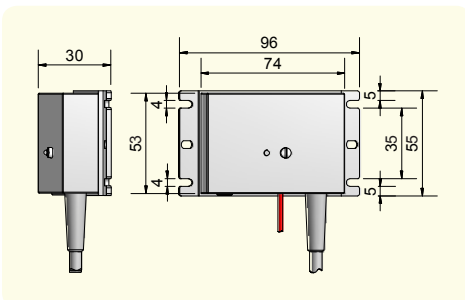
- For capacitive filling level probes with 1 limit value switching point: KFS-51-"L"-15-Y55
- Operating voltage: 18...36 V DC



**Technical data**

Electrical version	4 wire DC
Output function	Antivalent
<b>Type NPN</b>	<b>KFA-5-1-L-N-A-Z02-Y50</b>
<b>Art. No</b>	<b>AF 0068</b>
Connection diagram No.	3
<b>Type PNP</b>	<b>KFA-5-1-L-P-A-Z02-Y50</b>
<b>Art. No.</b>	<b>AF 0064</b>
Connection diagram No.	6
Operating voltage ( $U_b$ )	18...36 V DC
Voltage drop max. ( $U_d$ )	$\leq 2.5$ V
Permitted ripple max.	25 %
Operating current ( $I_o$ )	2 x 0...250 mA
No-load current ( $I_o$ )	Typ. 75 mA
Switching frequency max.	4 Hz
Permitted ambient temperature	-25...+55 °C
LED display	Green / yellow
Protection circuit	Built-in
Degree of protection IEC 60529	IP 54
Norm	EN 60947-5-2
Connection cable	2 m, PVC, 4 x 0.34 mm <sup>2</sup>
Housing material	PA

All specifications are subject to change without notice. (11/2016)



Made in Germany