

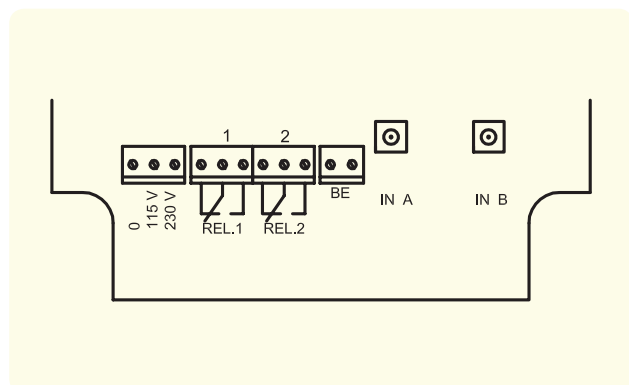
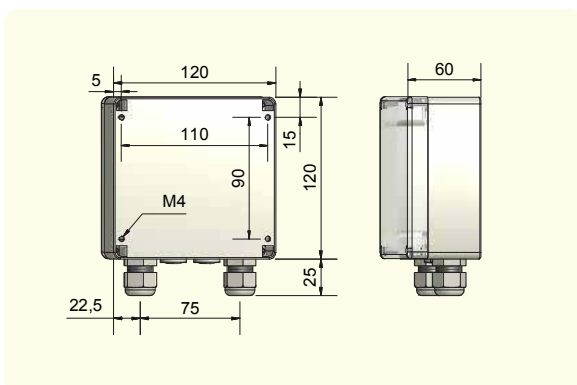


PER LeVeL Capacitive Evaluation Unit - KFA Relay output

- For capacitive filling level probes with 2 limit value switching points KFS-52-...-Y75 or 2 probes with 1 limit value switching point
- Operating voltage 115 / 230 V AC



Technical data	
Output function	1 x change-over contact each channel
Type	KFA-5-2-XXL-II-KL-PG9
Art.-No.	AF 0049
Operating voltage (U _B)	105...125 / 207...253 AC 50 / 60 Hz
Contact rating each relay max.	Max. 120 V DC / 1 A - 250 V AC / 4 A
Power consumption	Typ. 3 VA
Permitted ambient temperature	-25...+55 °C
LED-display	Green (U _B stand by)
LED-display	Static: green / red (full / empty)
Protective circuit (over temperature)	Built-in
Norm	EN 60947-5-2
Degree of protection IEC 60529	IP 54
Connection	Screwing clamp terminals and sockets
Housing material	ABS



Made in Germany

All specifications are subject to change without notice. (11/2016)