



PER **LeV&L** Capacitive Evaluation Unit - KFA
Relay output

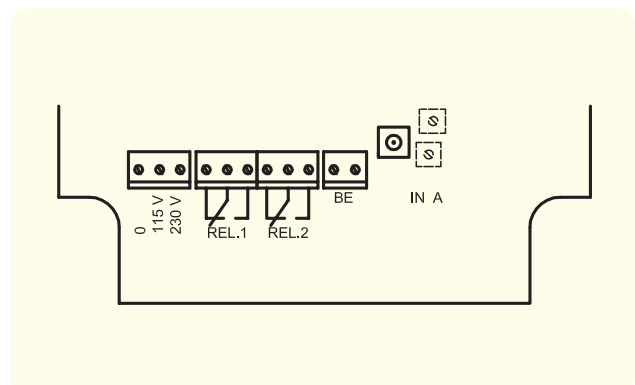
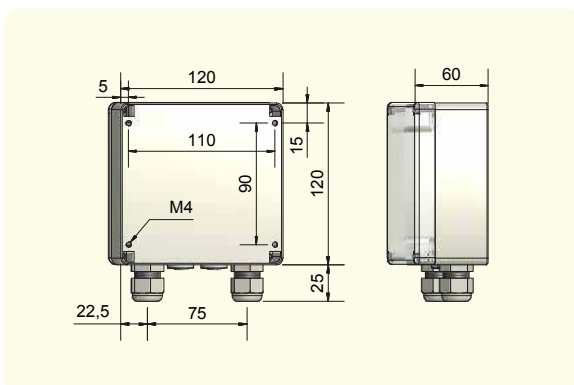
- For connection of one capacitive level probes with 1 limit value switching point KFS-51-...-Y75
- Operating voltage 115 / 230 V AC
- With wire break control



Technical data

Output function	2 x change-over contact
Type	KFA-5-1-XXL-I-FB-KL-PG9
Art.-No.	972 210
Operating voltage (U_B)	105...125 / 207...253 AC 50 / 60 Hz
Contact rating each relay max.	Max. 120 V DC / 1 A - 250 V AC / 4 A
Power consumption	Typ. 3 VA
Permitted ambient temperature	-25...+55 °C
LED-display	Green (U_B stand by)
LED-display	Static: green / red (full / empty)
Wire break control	Green (flashing)
Norm	EN 60947-5-2
Degree of protection IEC 60529	IP 54
Connection	Screwing clamp terminals and sockets
Housing material	ABS

All specifications are subject to change without notice. (11/2016)



Made in Germany