



Squeeze clamps for capacitive filling level systems with 16 mm in diameter

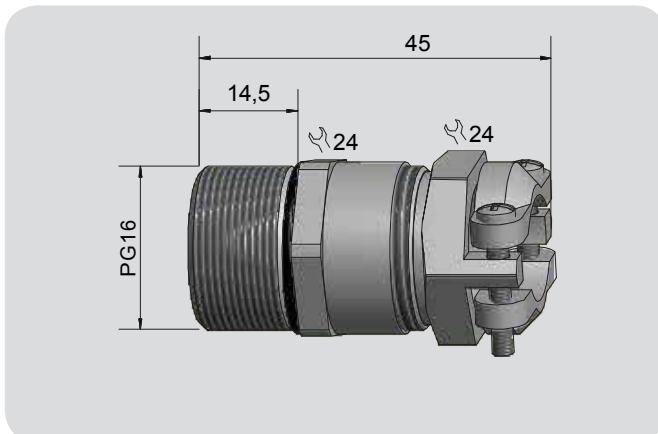
Process connection: PG16

- Mounting device for probes (Ø 16mm) without connection head
- Housing material: Brass
- With NBR O-rings



Technical Data

Process connection	PG16
Applicable for capacitive level probes with diameter	16 mm
Type	A-KLV-D16-PG16-MS/NBR
Art. No.	194 000
Housing material	Brass
Surface quality Ra, part in contact with the medium	0,4 µm
Accessories (idelivered with the unit)	1 nut



All specifications are subject to change without notice. (11/2016)