



Capacitive level probe

Series ILevel

Article number KI0001

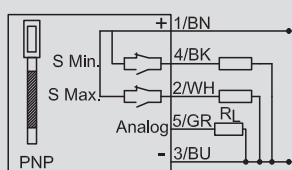
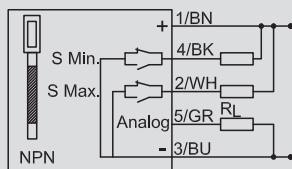
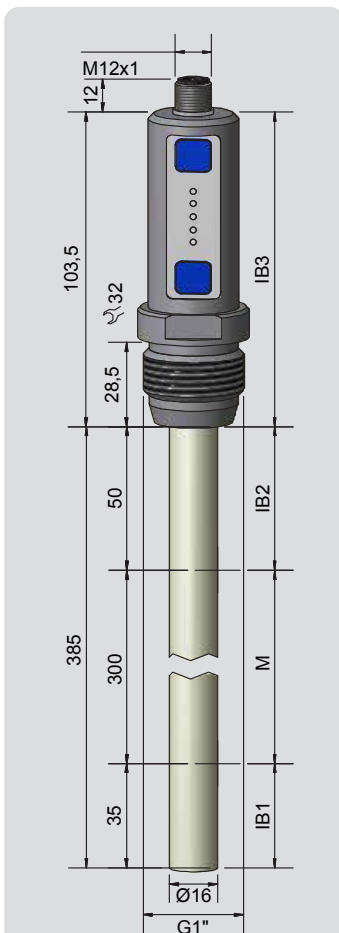
Description KFI-12-385-300-GFK/VAb-D16-G1-IL4-ETF-Y10

- Integrated evaluation electronics
- Housing material: GFK, Ø 16 mm
- ETF = Sensitivity adjustment is made by pressing a button
- Connection head and process connection: stainless steel VA no. 1.4305 / AISI 303
- Process connection G1"
- Multifunction probe: Automatic identification of NPN / PNP function
- Normally open / normally closed function switchable
- Probe length max. 1000 mm
- Electronic lock

Technical data

Active zone [M]	300 mm
Probe length	385 mm
Output function	Analogue, 2 limit value switching points, Normally open / normally closed switchable
Sensitivity adjustment	ETF
Operating voltage (U _B)	18...30 V DC
Permitted residual ripple max.	5 %
Load resistance (R _L)	≤ 400 Ω
Output current (I _e)	100 mA
Power consumption (outputs no-load)	0,8 W
Analogue output	4...20 mA
Switching frequency max.	1 Hz
Permitted ambient temperature	-25...+55 °C
Permitted ambient temperature (for active zone)	-25...+100 °C
LED-Display	Green / yellow
Protective circuit	Built-in
Degree of protection IEC 60529	IP67
Connection	Flange connector M12 x 1 (A coded, 5-pin)
Norm	EN 60947-5-2 (where applicable)
Housing material	Stainless steel VA No. 1.4305 / AISI 303
Housing material active zone	GFK
Housing material lid	PC (FDA 21 CFR 177.1580)
Housing	Ø 16 mm
Housing size / Process connection	G 1"
MTTF (average operating time until failure)	621.78 years
Matching connectors (not delivered with the sensor)	Female connector M 12, DC, 5 x 0.34 mm ² , 5 m, #193330

Made in Germany



All specifications are subject to change without notice. (25.03.2026)